

# ELMARK<sup>®</sup>

The Brand of Electricity

## UNIVERSAL LIMIT SWITCH – SERIES CZ93-XX



---

### Description:

---

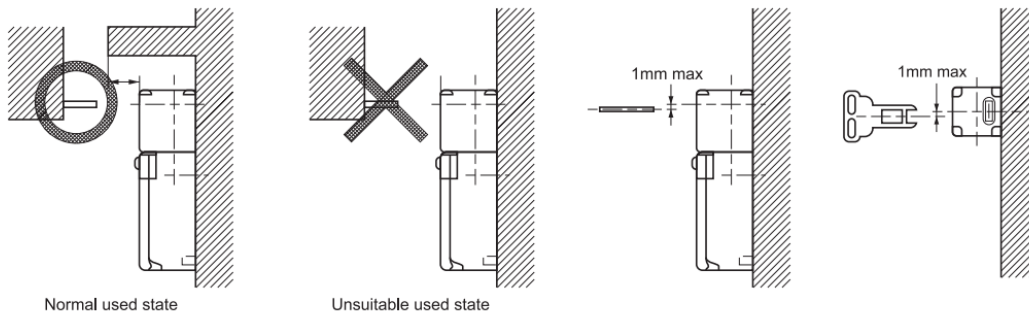
Limit switches of the CZ 93 series are Safety Key Interlock Switches. They are used in object control systems with high safety requirements. The limit switch body is mounted to the fixed system component, while the safety key is mounted to the movable system component. System operation cannot start, unless a full interlocking is achieved. Safety key interlock switches can operate at up to 10A non-inductive resistance load, 3A lamp load and 5A inductive load. They have high operating accuracy at wide variety of speeds. These limit switches are available in two versions depending on the operating contacts number: 2NC and NO+NC

---

### Technical data:

---

- Dielectric Strength: 2500V AC
- Rated current: 10A active; 3A inductive
- Insulation Resistance: 100mΩ min. (at 500VDC)
- Contact Resistance: 25mΩ
- Electrical Life (No. of cycles): 50 000 with noninductive load
- Mechanical Life (No. of cycles): 2 000 000
- Operating frequency: 30 electrical operations/ minute
- Operating speed: 0.1mm/s to 0.5m/s
- Rated voltage: 230V
- IP code: IP65



**Note:** To prevent the wear and the space should be within 1mm between the key and middle of the insert hole.

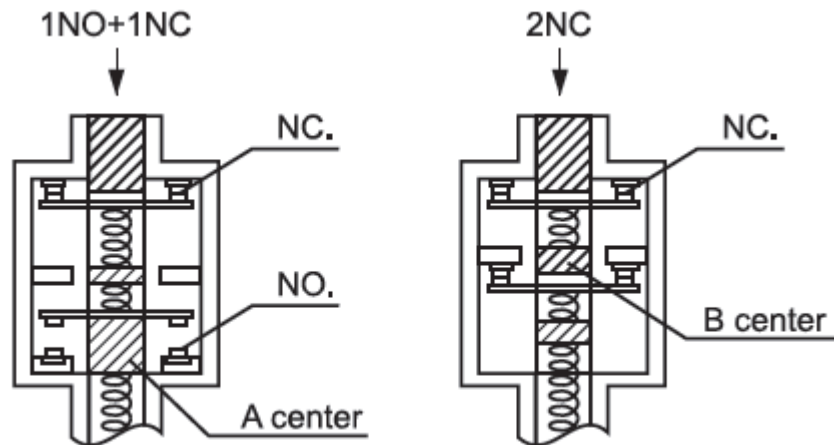
# TECHNICAL SPECIFICATION

## LIMIT SWITCHES

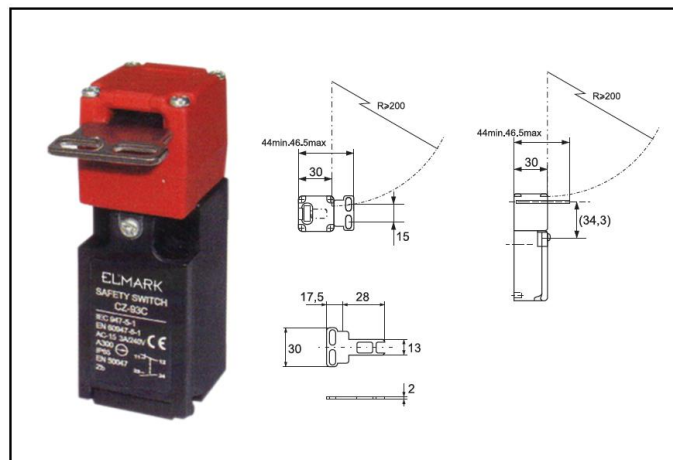
**ELMARK**<sup>®</sup>

The Brand of Electricity

### Type of the contact system:



### Variants and Dimensions:



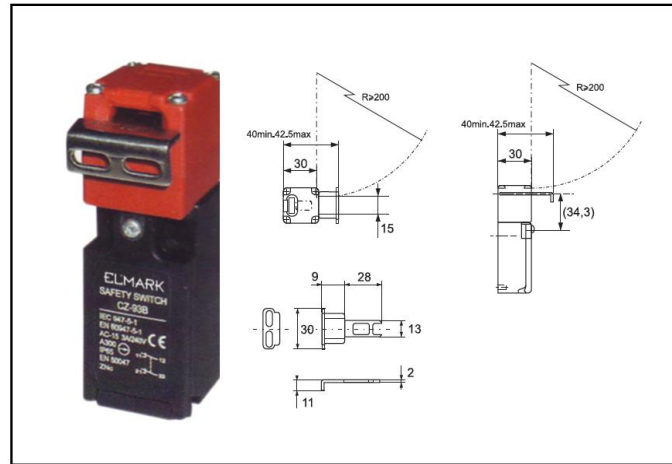
Type	Type of contact blocks	Key type	Power of starting (g)	Power of release (g)	Switching position	General movement	Packing / Box (pcs)	Catalogue number
CZ-93BPG01	2NC	CZ93-K1	147N	29.4N	6mm	28mm	10 / 100	46CZ08
CZ-93CPG01	NO+NC	CZ93-K1	147N	29.4N	6mm	28mm	10 / 100	46CZ09

# TECHNICAL SPECIFICATION

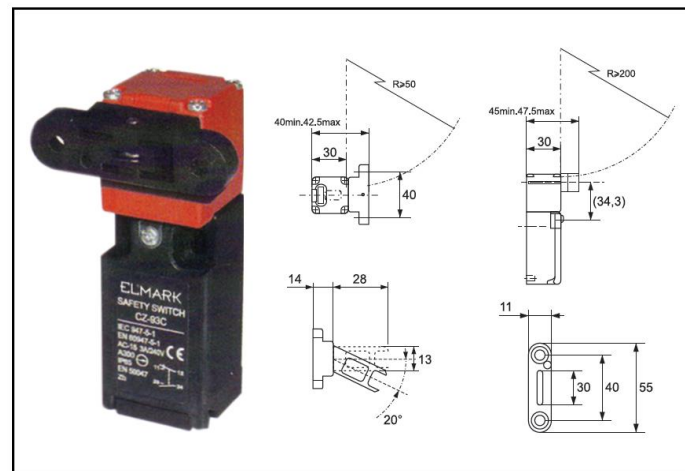
## LIMIT SWITCHES

# ELMARK®

The Brand of Electricity



Type	Type of contact blocks	Key type	Power of starting (g)	Power of release (g)	Switching position	General movement	Packing / Box (pcs)	Catalogue number
CZ-93BPG02	2NC	CZ93-K2	147N	29.4N	6mm	28mm	10 / 100	46CZ10
CZ-93CPG02	NO+NC	CZ93-K2	147N	29.4N	6mm	28mm	10 / 100	46CZ11



Type	Type of contact blocks	Key type	Power of starting (g)	Power of release (g)	Switching position	General movement	Packing / Box (pcs)	Catalogue number
CZ-93BPG03	2NC	CZ93-K3	147N	29.4N	6mm	28mm	10 / 100	46CZ12
CZ-93CPG03	NO+NC	CZ93-K3	147N	29.4N	6mm	28mm	10 / 100	46CZ13

# TECHNICAL SPECIFICATION

## LIMIT SWITCHES

**ELMARK**<sup>®</sup>

The Brand of Electricity

---

### Key CZ 93:

---



Type	Key Actuating	Packing / Box (pcs)	Catalogue number
CZ 93 – K1	Horizontal	1 / 100	46CZ931
CZ 93 – K2	Vertical	1 / 100	46CZ932
CZ 93 – K3	Adjustable	1 / 100	46CZ933

---

### Barcodes:

---

46CZ08	3800131149367
46CZ09	3800131130884
46CZ10	3800131149374
46CZ11	3800131130907
46CZ12	3800131149381
46CZ13	3800131130921
46CZ931	3800131149398
46CZ932	3800131149404
46CZ933	3800131149411

#### Standards

EN 60947-1

EN 60947-5-1

